

# ANACONDA<sup>®</sup>

CRUSH | SCREEN | STACK

## TD620 TRACKED TROMMEL



**THE ANACONDA TD620 TRACKED TROMMEL HAS BEEN DESIGNED TO DELIVER OUTSTANDING PERFORMANCE IN TESTING APPLICATIONS.**

The trommel 620 is suitable for processing a variety of materials including compost, wood chip, soil, construction and demolition (C&D) waste, and commercial and industrial waste.

To minimise downtime the TD620 has been specifically designed for ease of maintenance and service. The TD620 trommel screen is available on wheels or crawler tracks.

### FEATURES & BENEFITS

- TIER 3B/4I - JCB ECOMAX 93KW
- QUICK SETUP TIME - (WITHIN 20 MINUTES FROM ARRIVAL ON SITE)
- SCREENING DRUM 5.41M LONG X 2.0M DIAMETER
- FORWARD AND REVERSE 4 WHEEL DRIVE DRUM SYSTEM
- VARIABLE SPEED ON SCREENING DRUM AND ALL CONVEYORS
- QUICK DRUM CHANGE [HYDRAULIC DRUM LIFT OUT]
- ADJUSTABLE DRUM SCREENING ANGLE 0° TO 6°
- DRUM LOAD SENSING SYSTEM

### OPTIONS

- DUAL POWER - TIER 3A - JCB 448 TCA-E - 110KVA G-DRIVE
- REMOTE TIPPING GRID
- HOPPER EXTENSIONS
- FLEXIBLE DRUM CONFIGURATIONS : SOLID PLATE / WOVEN WIRE MESH
- WHEEL CHASSIS

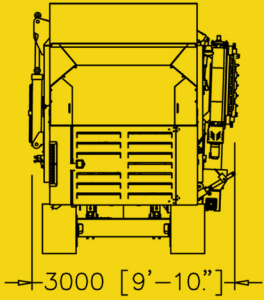
### WEIGHT

42,990 LBS / 19,500 KG / 21.49 US. TON

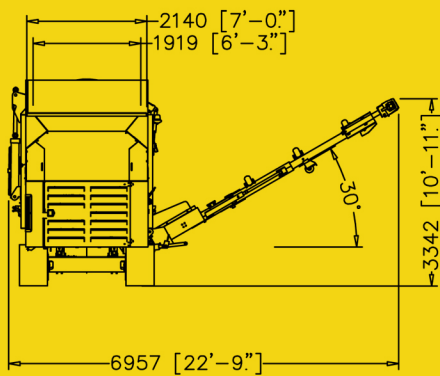
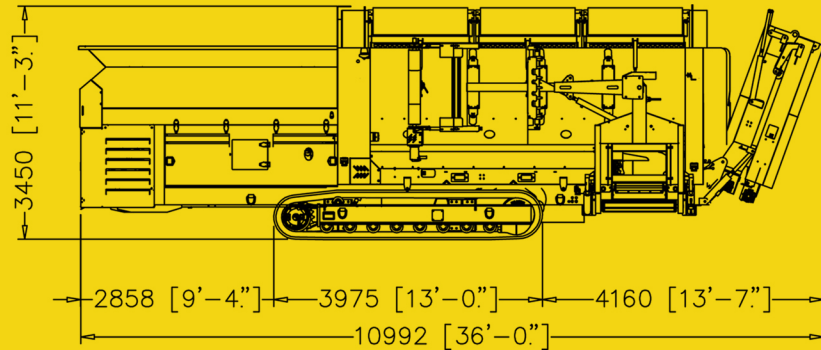
# ANACONDA®

CRUSH | SCREEN | STACK

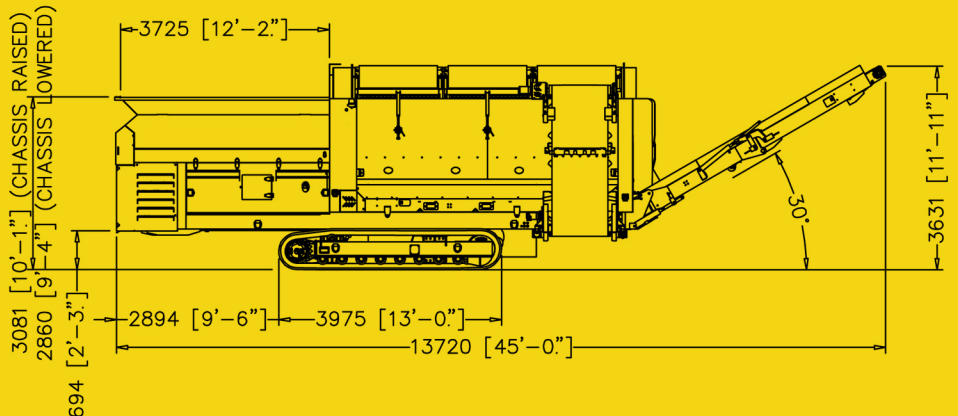
## TD620 TRACKED TROMMEL



TRANSPORT



WORKING



THE TD 620 TROMMEL IS LARGEST TROMMEL SCREEN TO BE INTRODUCED BY ANACONDA ONTO THE MARKET. THE SELF CLEANING DRUM WILL KEEP YOU SCREENING EVEN IN THE MOST TESTING CONDITIONS.

**ANACONDA SELLS AND DISTRIBUTES THE FULL RANGE OF EQUIPMENT THROUGH A LOCAL DEALER NETWORK.**

**FOR YOU NEAREST DEALER PLEASE CONTACT US OR VISIT OUR WEBSITE.**



DEALER STAMP HERE

CURRENT MODELS MAY DIFFER FROM THOSE FEATURED IN THIS BROCHURE. ANACONDA RESERVES THE RIGHT TO MAKE CHANGES TO THE PRODUCT DESIGN WITHOUT RESERVATION AND WITHOUT NOTIFICATION

**ANACONDA®**  
CRUSH | SCREEN | STACK



**Head Office**  
Anaconda Equipment International,  
Ardboe Business Park, Kilmascally Road  
Dungannon, Co. Tyrone, BT71 5BJ

Tel: +44 (0) 28 867 37878  
Email: [sales@anacondaequipment.com](mailto:sales@anacondaequipment.com)  
Web: [www.anacondaequipment.com](http://www.anacondaequipment.com)

**ANACONDA MOBILE TROMMELS**